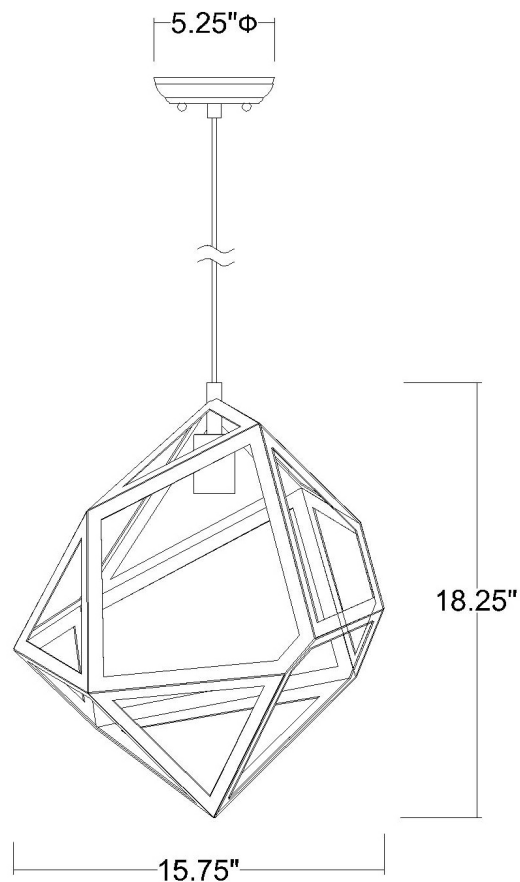
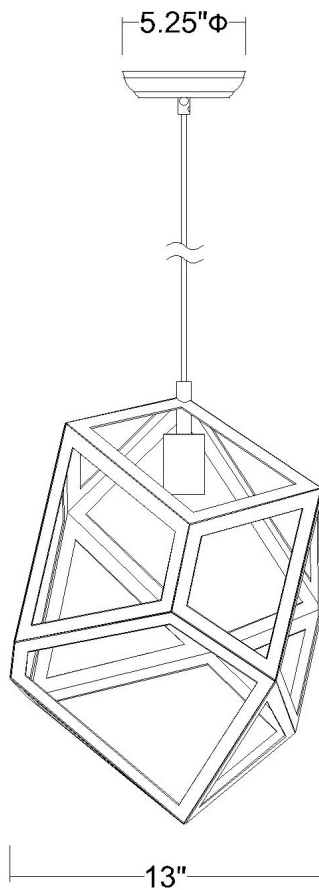
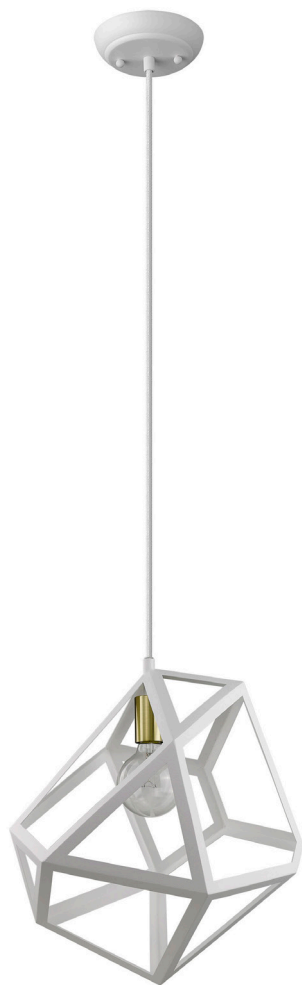


TP30081WH HEDRON 1-LIGHT PENDANT



Description:	Hedron 1-Light Pendant
Finish:	White
Dimensions:	15-3/4" W x 13" D x 18-1/4" H
Bulbs:	1-100W Med.
Installed Weight:	10 lbs.
Certification:	ETL / dry location

Material:	Steel
Shades:	Steel
Glass:	NA
Canopy Dimensions:	5-1/4" Dia.
Chain/Wire:	12' Wire
Additional Finishes:	BK